

## FAN-FORCED HEATERS

# GFR SERIES



### APPLICATIONS:

Basements  
Bathrooms  
Bedrooms  
Breezeways  
Converted attics  
Dens  
Garages  
Small offices  
Workshops



### CONTEMPORARY REGISTER STYLE GRILLE

- Commercial grade steel grille designed to provide comfort through optimized airflow at minimum noise level



### THERMOSTAT OPTIONS

- The GFR Series can be operated by either a built-in or wall-mounted thermostat
- Single and double pole thermostat kits are available for field installation



### THERMAL OVERHEAT PROTECTOR

- Disconnects power in the event of overheating due to accidental blockage



### QUIET OPERATION

- Whisper quiet operation is achieved due to unique design which includes tangential blower and impedance protected, permanently lubricated motor



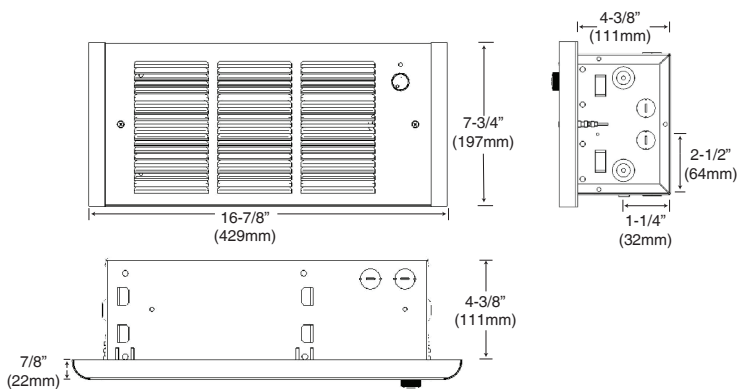
### LONG LIFE AND LOW MAINTENANCE

- All motors are C frame units that have a permanently lubricated fan motor, which creates long life and low maintenance, and gently distributes warmth throughout the area

Catalog Number	Voltage	Watts	AMPS	Built in thermostat	Weight (lbs)
GFR1500F	120	1500/1125/750/375	12.5/9.4/6.3/3.1	No	10
GFR2004F	240*	2000/1500/1000/500	8.3/6.3/4.2/2.1	No	10
GFR2404F	240*	2400/1800/1200/600	10.0/7.5/5.0/2.5	No	10
GFR1500T2	120	1500/1125/750/375	12.5/9.4/6.3/3.1	Double Pole	11
GFR2004T2	240*	2000/1500/1000/500	8.3/6.3/4.2/2.1	Double Pole	11
GFR2404T2	240*	2400/1800/1200/600	10.0/7.5/5.0/2.5	Double Pole	11
Accessories					
GFRTSP	Single Pole Built-In Thermostat 25 Amps @ 120-240V 45° - 85°F Range				
GFRTDP	Double Pole version of GFRTSP listed above				
GFRSM	Double Pole Built-In Thermostat 25 Amps @ 120-240V 45° - 85°F Range				

\*will operate on 208V at 75% of rated wattages

## DIMENSIONS



## MOUNTING LIMITATIONS

For wall mounting - Do not install back box closer than 4 inches from floor or 6 inches away from adjacent wall.

Do not install heater behind towel rack, behind door, in floor, in closet, in ceiling, or where air flow may be obstructed.

## FEATURES

CLIP-N-FIT® - Patented feature (US Patented No. 6,172,343) allows the installer to change the wattage of the heater to a lower output without moving jumper wire. Each heater is factory wired for its maximum wattage. To change wattage, clip out either jumper 1 or 2 as shown in the installation manual for desired wattage. This patented feature also prevents the operator from changing wattage after installation to a higher wattage.